

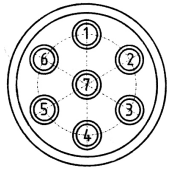
| | | | | | |
|---|--|-------|-------|-------|-------|
| (H204-A) Tucson 2004-/ KIA Sportage 2005-... | | D (H) | S () | T () | C () |
| H204-A | | 6,3 | 75 | 1800 | 1000 |
| D = g* TC/T+C | | | | | |
| S - | | | | | |
| T - | | | | | |
| C - | | | | | |

(H204-A) Tucson 2004-/ KIA Sportage 2005-...
1000
28248-89 «
37.001.096-93 «

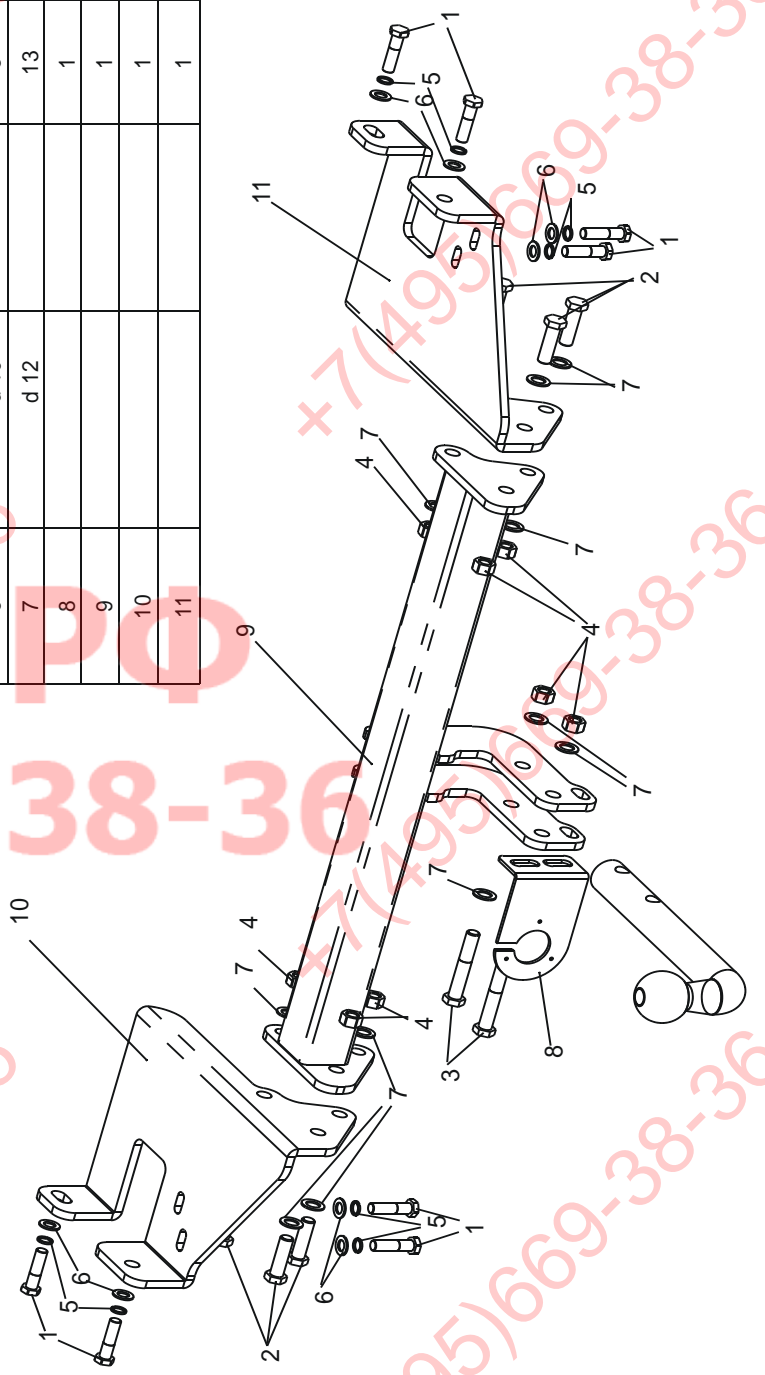
| | | | | |
|----|----|----|--|---|
| 1. | | 2. | (H204-A) Tucson 2004-/ KIA Sportage 2005-... | 1 |
| | 50 | | | 1 |
| | 16 | | | 1 |
| | | | | 1 |

3.6 (9) (10,11) 12 40 (2) 10 40 1,25 (1) ()

| | | | |
|-----------|--|--|--|
| 1 (L/1) | | | |
| 2 (54/2G) | | | |
| 3 (31/3) | | | |
| 4 (R/4) | | | |
| 5 (58R/5) | | | |
| 6 (54/6) | | | |
| 7 (58L/7) | | | |



| | | | | | | | | | | | | |
|----|------------|--|--|--|--|--|--|--|--|--|--|--|
| | 8 | | | | | | | | | | | |
| 1 | 10 1,25 40 | | | | | | | | | | | |
| 2 | 12 40 | | | | | | | | | | | |
| 3 | 12 70 | | | | | | | | | | | |
| 4 | 12 | | | | | | | | | | | |
| 5 | d 10 | | | | | | | | | | | |
| 6 | d 10 | | | | | | | | | | | |
| 7 | d 12 | | | | | | | | | | | |
| 8 | | | | | | | | | | | | |
| 9 | | | | | | | | | | | | |
| 10 | | | | | | | | | | | | |
| 11 | | | | | | | | | | | | |



1 ()

ФАРКОП.РФ

+7 (495) 669-38-36 204-

+7(495)669-38-36